



FBF-3464 Veritek® Barrier-Free Shower Floors With Trough Drain

Manufactured from Veritek®
(See page 2 for detailed information.)

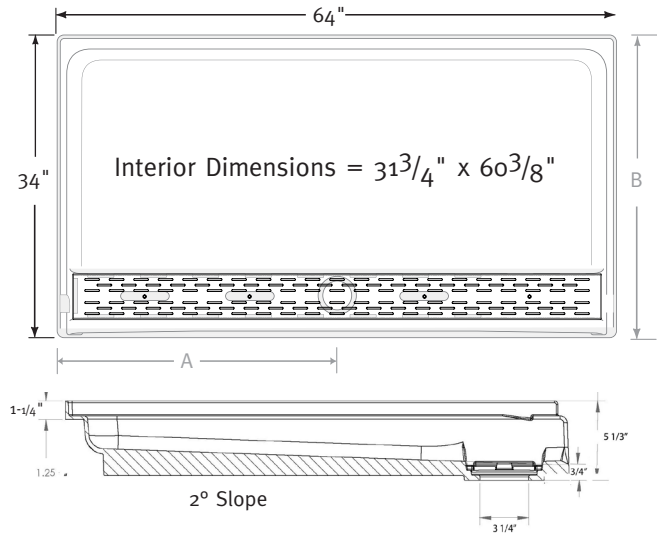
WARRANTY
Limited Lifetime – Residential
Limited 5-year – Commercial

FEATURES

- Low threshold provides easy access; no ramp required.
- Wide trough drain eliminates need for additional water dam.
- Stainless steel grate extends full width of floor for maximum drainage.
- Easy to install; does not require notching concrete or raising subfloor.
- Engineered for strength with molded-in structure supports.
- Slip-resistant surface for added safety.
- Made of Veritek® with no surface coating to chip or crack, no grout to clean.



Model	Nominal Size	Rough-In Dimensions			
		64	34	A	B
FBF-3464 Barrier Free	34" x 64"	64-1/4"	34-1/8"	32-3/16"	29-13/16"



Trough system drains into standard 2" drain pipe.

IMPORTANT: Rough-in dimensions are provided for reference only. You must measure the actual shower floor and check local building code requirements before construction of the stud wall. Meets ADA requirements for use in new construction or existing bathing facilities.

SPECIFICATIONS

FBF-3464 Veritek® Barrier-Free Shower Floor With Trough Drain

Model	Part	Nominal Size Dimensions	Ship Wt. Lb.	Ship FedEx	Carton Dims. In.	Cu. Ft.
FBF-3464	FB03464	34" D x 64" W (864 mm x 1626 mm)	70	-	69 x 39 x 10	15.18

Includes: One code-approved compression-molded Veritek® shower floor with trough drain.

Packaging: Each floor packed in a rectangular carton.

Note: This product meets the dimensional requirements to allow for installation in ADA applications. For up-to-date ADA regulations, visit (ADA.gov).

ACCESSORIES

See page 72 for complete listing of all Universal Design accessories.

STANDARDS AND RATINGS

American National Standard Institute—ANSI Z124.1.2
International Association of Plumbing and Mechanical Officials (IAPMO)—Listed
CSA Standard B45.5 by IAPMO
Uniform Plumbing Code (UPC)

For a complete list of tests and results see the Technical Data Sheet.

SUPPORT DOCUMENTS

Installation instructions available at swanstone.com.



COLORS

- Solid Colors:**
- White (010)
 - Bisque (018)
 - Bone (037)

MAINTENANCE AND CLEANING INFORMATION

Clean regularly with common household liquid cleaners and a sponge or soft cloth. For hard water stains, scale removers can be used. If necessary, abrasive cleaners can be used with a nylon brush or pad to remove build up on the shower floor surface. **Do not** use a metal-scouring pad or a wire brush, as it will damage the surface. **Do not** use "leave on" cleaning products, such as automatic spray shower cleaners. Prolonged contact with harsh chemicals could have an adverse reaction over time and discolor surfaces. **Do not** use cleaning agents that caution use on acrylic, polyester or plastics.